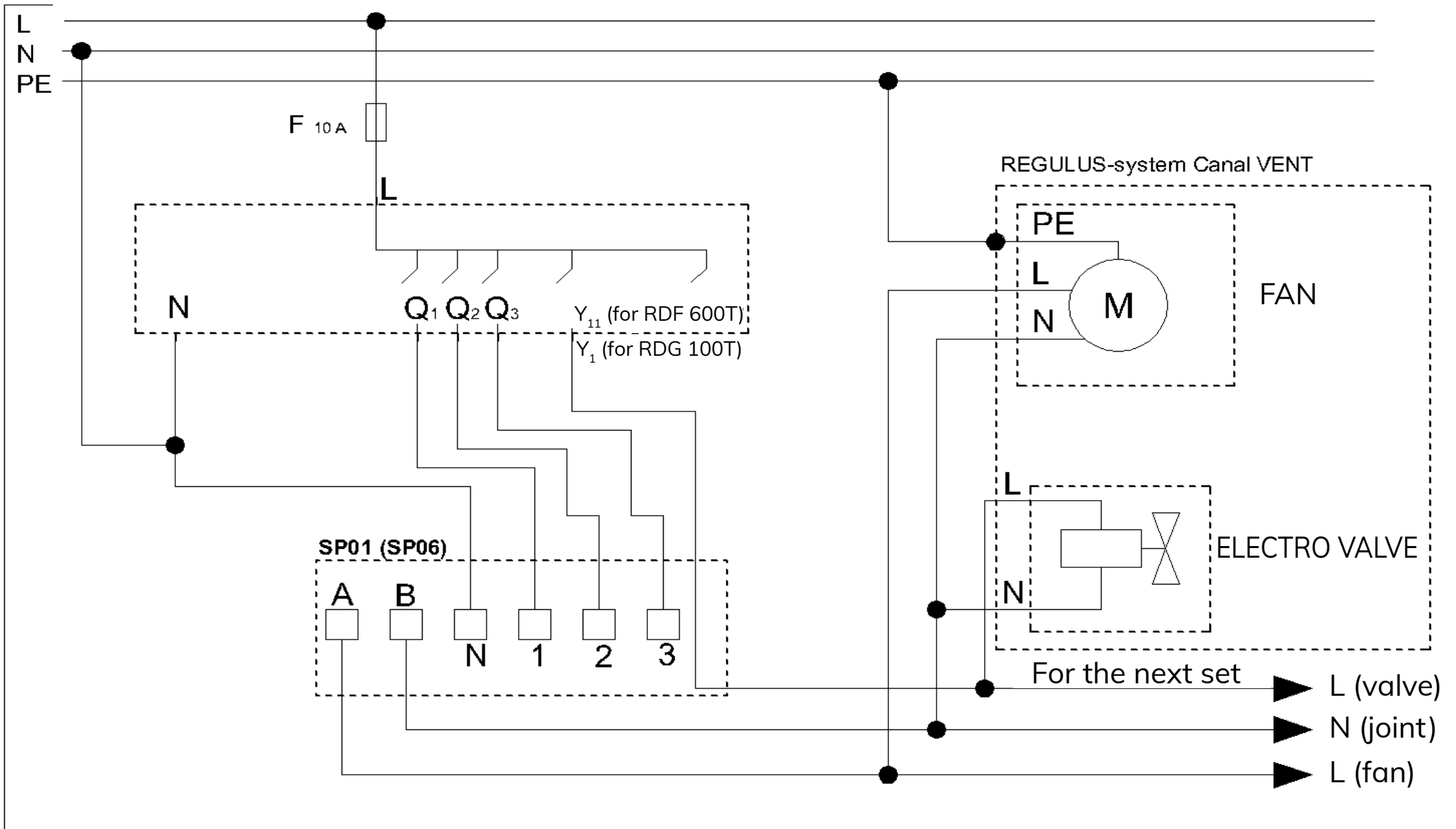


# CONNECTION DIAGRAM FOR SIEMENS CONTROLLERS



DIP SWITCH for RDG 100T; 1 – ON, other – OFF

DIP SWITCH for RDF 600!; 1 – ON, 2 – OFF (right to numbers 1 and 2)